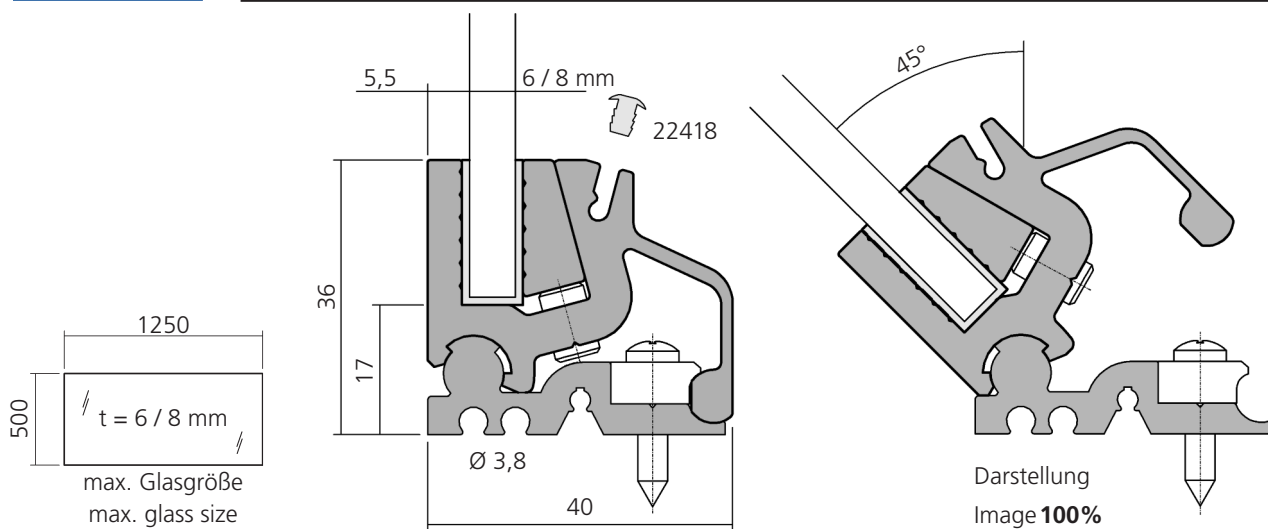
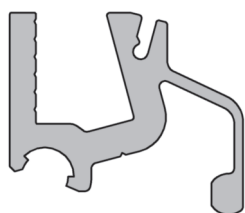


Kippbeschlag
 Tilting armature

221


 Anschlagprofil, Aluminium
 Stop profile

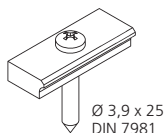
6000 mm

12209
 Glasklemmprofil, Aluminium
 Glas clamping profile

 6000 mm
 Bohrabstand
 Bore distance
 150 mm
12211
 Schraube M6 x 10 DIN 913
 Screw M6 x 10 DIN 913

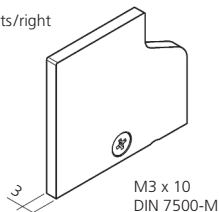
 VPE 25
 PU 25
SC003
 Klemmprofil, Aluminium
 Clamping profile

 6 mm Glas/glass
 8 mm Glas/glass
12212**12208**
 Abdeckprofil, Weich-PVC
 Covering profile, Soft-PVC
22418
 Einfassprofil, Weich-PVC
 transparent
 Bordering profile, Soft-PVC
 transparent

 6 mm Glas/glass
 8 mm Glas/glass
22710**12285**
 Klemmstück
 min 2 Stück/Glas
 Clamping piece
 min 2 pieces/glass

 VPE 10
 PU 10
22407

rechts/right


 Endkappe, Aluminium
 End cap

 rechts/right
 links/left
24064**24065**
 M3 x 10
 DIN 7500-M